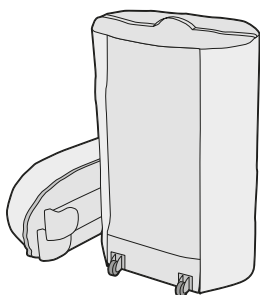


# Unpacking from the bags set

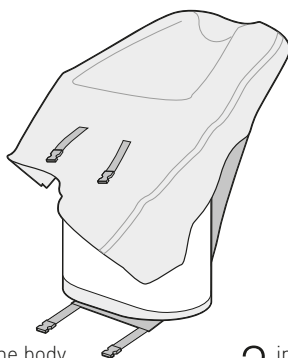
Pack in the bag set – see back



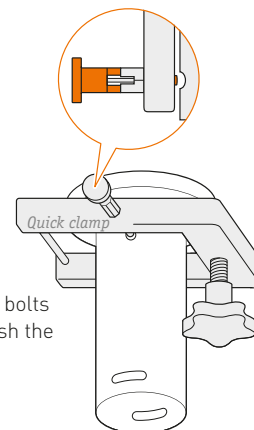
also as video



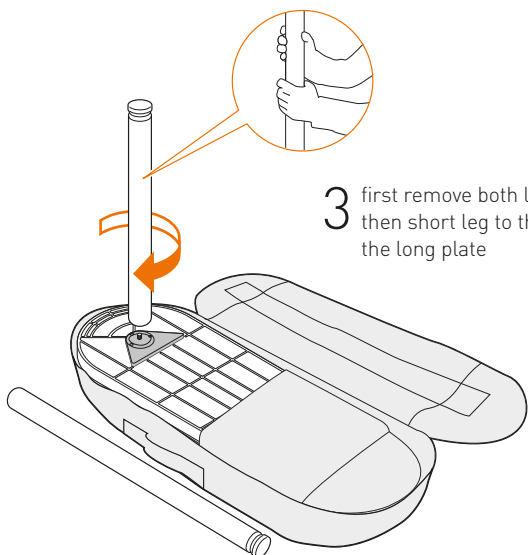
PENTA-LOOP® packed up in the two-piece bag set



1 Unpack the body and open the door

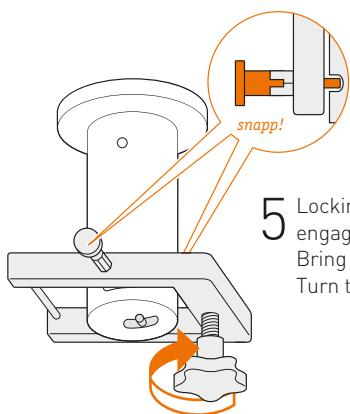
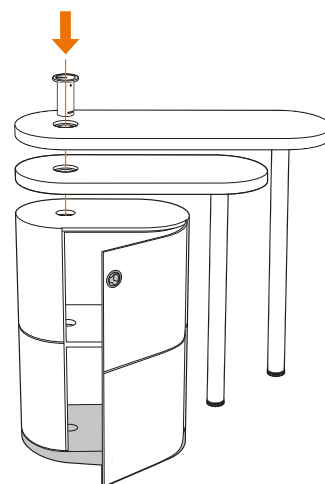


2 in the body on both locking bolts pull and turn slightly, then push the axis up, remove and park

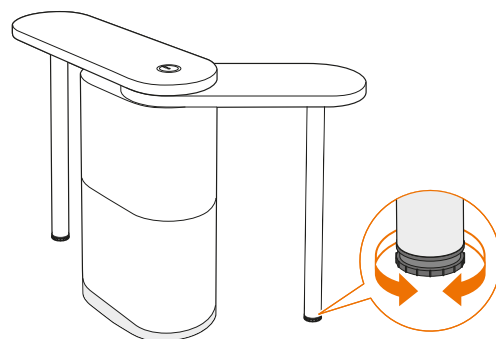


3 first remove both legs from the table top pocket, then short leg to the short plate and long leg screw the long plate

4 Tabletops – short first on the body put down, then push through the axis



5 Locking pin in both oval slots of the axis engage by turning slightly, Bring the table tops into the desired position, Turn the star grip hand-tight



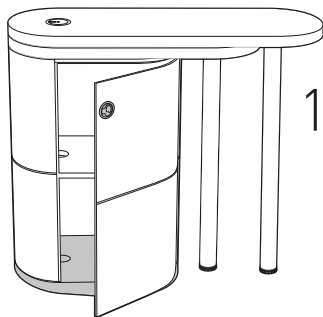
6 Height adjuster on both legs adjust – without pressure to the floor

# Packing in the bag set

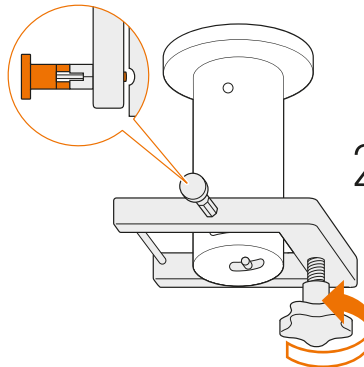
Unpacking from the bag set – see back



also as video

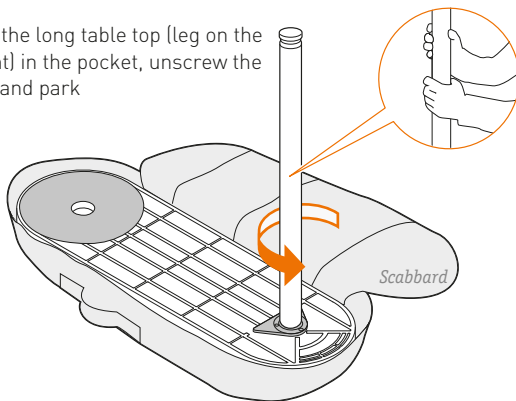


1 Open the door and clear out the body completely

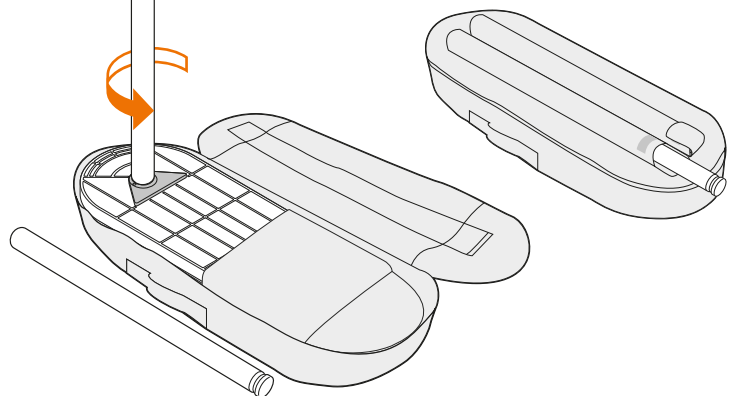


2 Release star grip in the body, pull on both locking bolts and turn slightly, then remove the axle and park

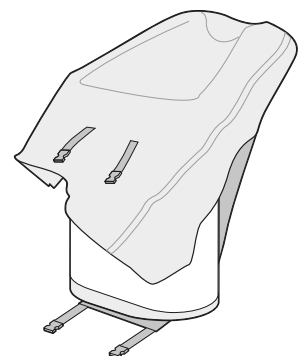
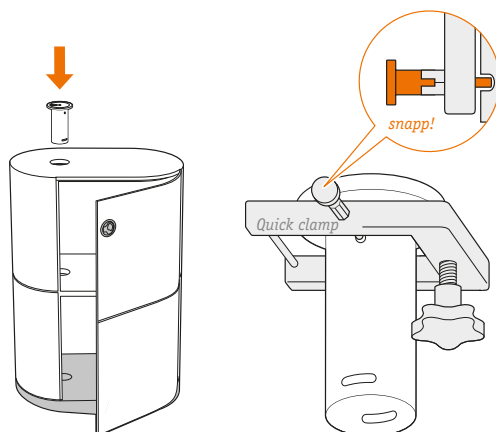
3 put the long table top (leg on the right) in the pocket, unscrew the leg and park



4 thread the short plate into the scabbard, unscrew the leg, close the bag, slide the legs into the sleeves and lock them



5 lift the quick release in the body and push the axle through, Snap both locking bolts into the round holes by turning them slightly



6 Place the body on the plastic surface, put the bag on and close it