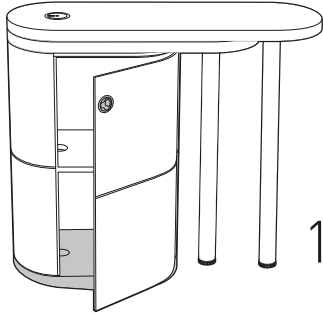


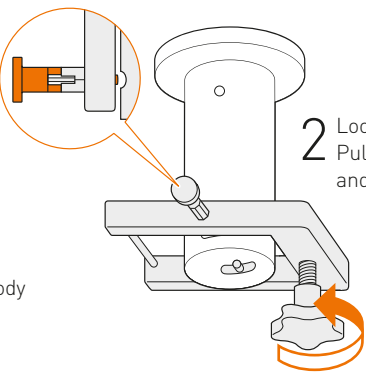
Packing in the Transport Case

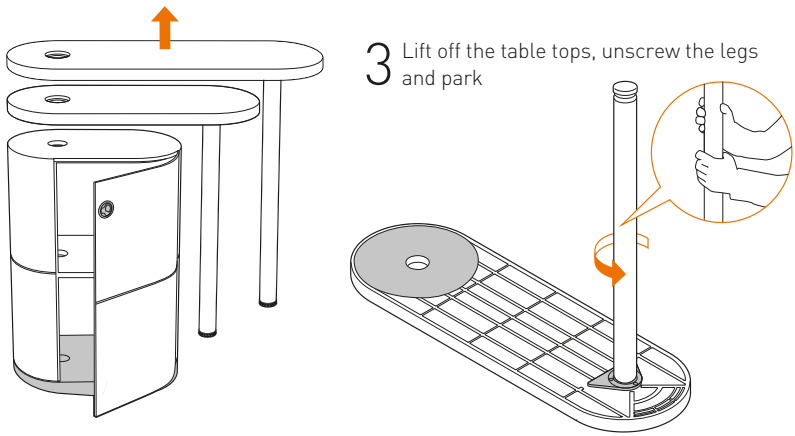
Unpacking from the Transport Case – see back

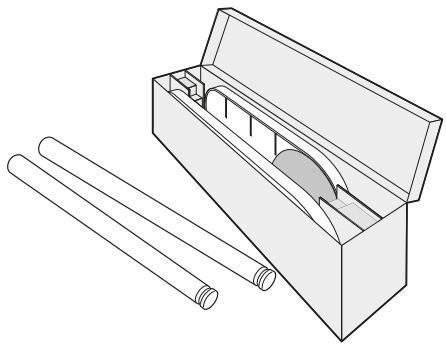


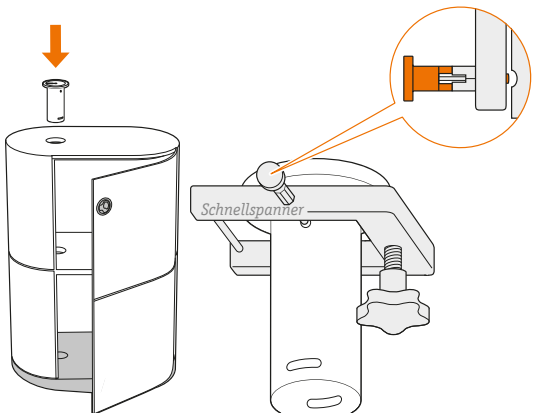
also as video

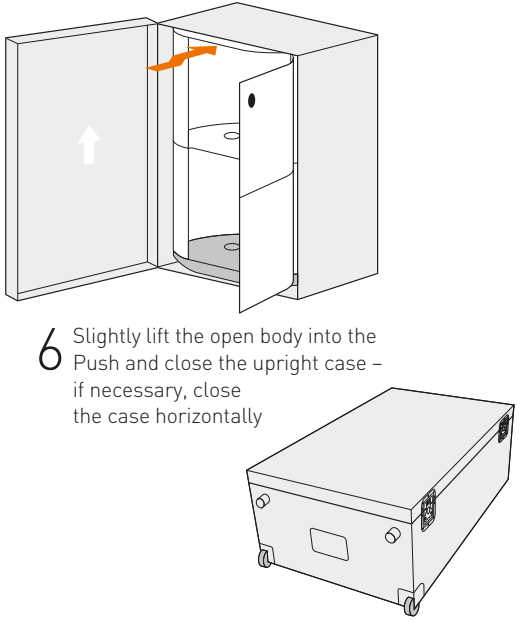
- 

1 Open the door and the body clear out completely
- 

2 Loosen the star grip in the body, Pull on both locking bolts and turn slightly and then remove the axle and park it
- 

3 Lift off the table tops, unscrew the legs and park
- 

4 the table tops – facing outwards – in the compartments, then the legs in the compartment between the table tops, the short leg at the bottom
- 

5 Lift the quick release in the body and insert the axle, engage both locking bolts in the round holes by turning them slightly
- 

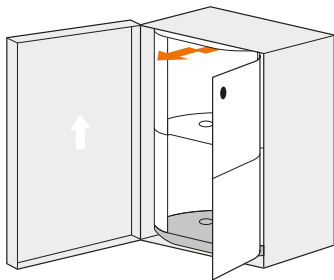
6 Slightly lift the open body into the Push and close the upright case – if necessary, close the case horizontally

Unpacking from the Transport Case

Pack in the Transport Case – see back

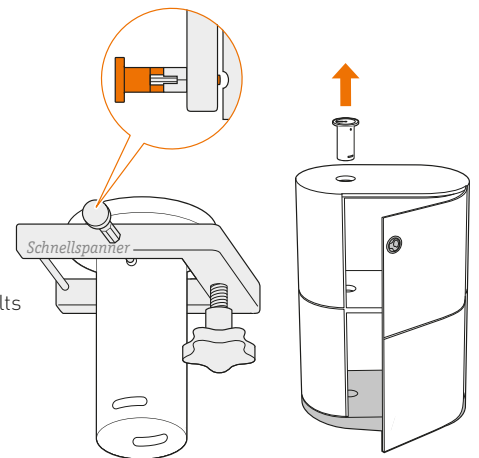


also as video

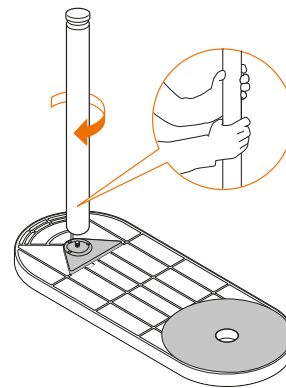
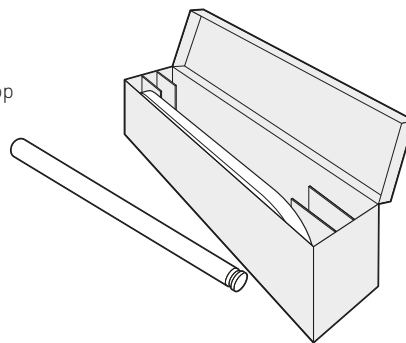


1 in the upright case open the counter, lift it up slightly and pull it out of the case

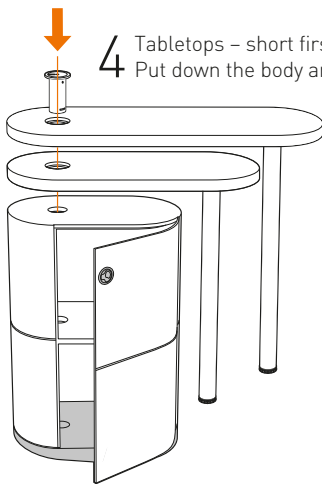
2 in the body on both locking bolts pull and turn slightly, then remove the axle and park it



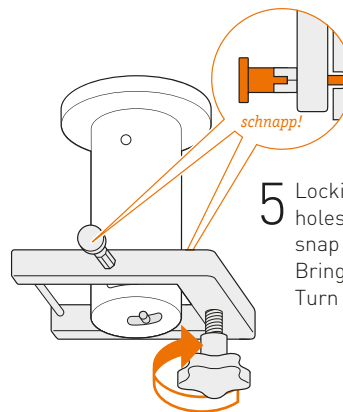
3 first remove both legs from the case, then short leg to short and screw the long leg to the long table top



4 Tabletops – short first – on that Put down the body and push through the axis



5 Locking pin in both of the elongated holes on the axis snap into place by turning slightly, Bring table tops in the desired position, Turn the star grip hand-tight



6 Height adjusters on both legs set – without pressure on the ground

